

FFKDS/V-3,81

Order No.: 1789647

<http://eshop.phoenixcontact.de/phoenix/treeViewClick.do?UID=1789647>

Printed circuit terminal block, nominal current: 12 A, rated voltage: 160 V, pitch: 3.81 mm, no. of positions: 1, mounting: Soldering, type of connection: Spring-cage connection, connection direction from the conductor to the PCB: 90°

Commercial data

| | |
|--------------------------|-------------------|
| EAN | 4017918044114 |
| Pack | 100 Pcs. |
| Customs tariff | 85369010 |
| Weight/Piece | 0.000924 KG |
| Catalog page information | Page 95 (CC-2007) |

Product notesWEEE/RoHS-compliant since:
01/01/2003

<http://www.download.phoenixcontact.com>
Please note that the data given here has been taken from the online catalog. For comprehensive information and data, please refer to the user documentation. The General Terms and Conditions of Use apply to Internet downloads.

Technical data**Dimensions / positions**

| | |
|---------------------|------------|
| Pitch | 3.81 mm |
| Number of positions | 1 |
| Pin dimensions | 0,5 x 1 mm |
| Hole diameter | 1.3 mm |

Technical data

| | |
|------------------------------------|------------------------------------------------------|
| Insulating material group | I |
| Rated surge voltage (III/3) | 2.5 kV |
| Rated surge voltage (III/2) | 2.5 kV |
| Rated surge voltage (II/2) | 2.5 kV |
| Rated voltage (III/2) | 160 V |
| Rated voltage (II/2) | 320 V |
| Connection in acc. with standard | EN-VDE |
| Nominal current I_N | 12 A |
| Nominal voltage U_N | 160 V |
| Nominal cross section | 1 mm ² |
| Maximum load current | 6 A (with 1 mm ² conductor cross section) |
| Insulating material | PA |
| Inflammability class acc. to UL 94 | V2 |
| Stripping length | 10 mm |

Connection data

| | |
|----------------------------------------------------------------------------|----------------------|
| Conductor cross section solid min. | 0.14 mm ² |
| Conductor cross section solid max. | 1 mm ² |
| Conductor cross section stranded min. | 0.14 mm ² |
| Conductor cross section stranded max. | 1 mm ² |
| Conductor cross section stranded, with ferrule without plastic sleeve min. | 0.25 mm ² |
| Conductor cross section stranded, with ferrule without plastic sleeve max. | 0.34 mm ² |
| Conductor cross section stranded, with ferrule with plastic sleeve min. | 0.25 mm ² |
| Conductor cross section stranded, with ferrule with plastic sleeve max. | 0.34 mm ² |
| Conductor cross section AWG/kcmil min. | 26 |
| Conductor cross section AWG/kcmil max | 18 |

Certificates / Approvals

Approval logo



CSA

| | |
|-----------------------|-------|
| Nominal voltage U_N | 150 V |
| Nominal current I_N | 10 A |
| AWG/kcmil | 26-18 |

CUL

| | |
|-----------------------|-------|
| Nominal voltage U_N | 300 V |
| Nominal current I_N | 6 A |
| AWG/kcmil | 26-16 |

UL

| | |
|-----------------------|-------------------------------|
| Nominal voltage U_N | 300 V |
| Nominal current I_N | 6 A |
| AWG/kcmil | 26-16 |
| Certification | CCA, CSA, CUL, GOST, KEMA, UL |

Accessories

| Item | Designation | Description |
|------|-------------|-------------|
|------|-------------|-------------|

Marking

| | | |
|---------|--------------------------|------------------------------------------------------------------------------------------------------------------------------------------------------------------------------|
| 0804109 | SK 3,81/2,8:FORTL.ZAHLEN | Marker card, printed horizontally, self-adhesive, 10-section marker strip, 14 identical decades marked 1-10, 11-20 etc. up to 91-(99)100, sufficient for 140 terminal blocks |
|---------|--------------------------|------------------------------------------------------------------------------------------------------------------------------------------------------------------------------|

Additional products

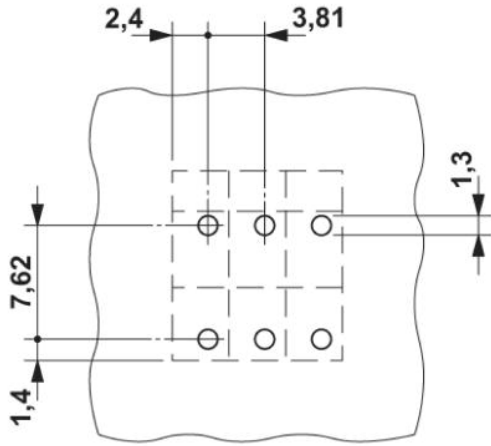
| Item | Designation | Description |
|------|-------------|-------------|
|------|-------------|-------------|

General

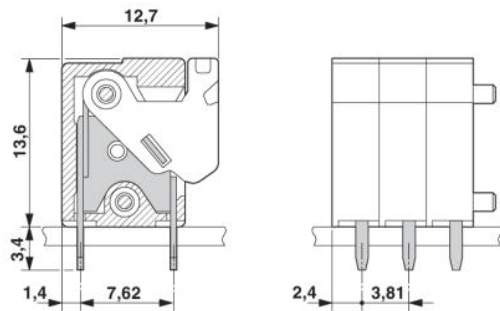
| | | |
|---------|----------------|-------------------------------------------------------------------------------------------------------------|
| 1789621 | FFKDSA1/V-6,35 | End terminal block, 6.35 mm wide, necessary at the end of a row of terminal blocks, for vertical connection |
|---------|----------------|-------------------------------------------------------------------------------------------------------------|

Drawings

Drilling diagram



Dimensioned drawing



Address

PHOENIX CONTACT GmbH & Co. KG
Flachmarktstr. 8
32825 Blomberg, Germany
Phone +49 5235 3 00
Fax +49 5235 3 41200
<http://www.phoenixcontact.de>



© 2008 Phoenix Contact
Technical modifications reserved;